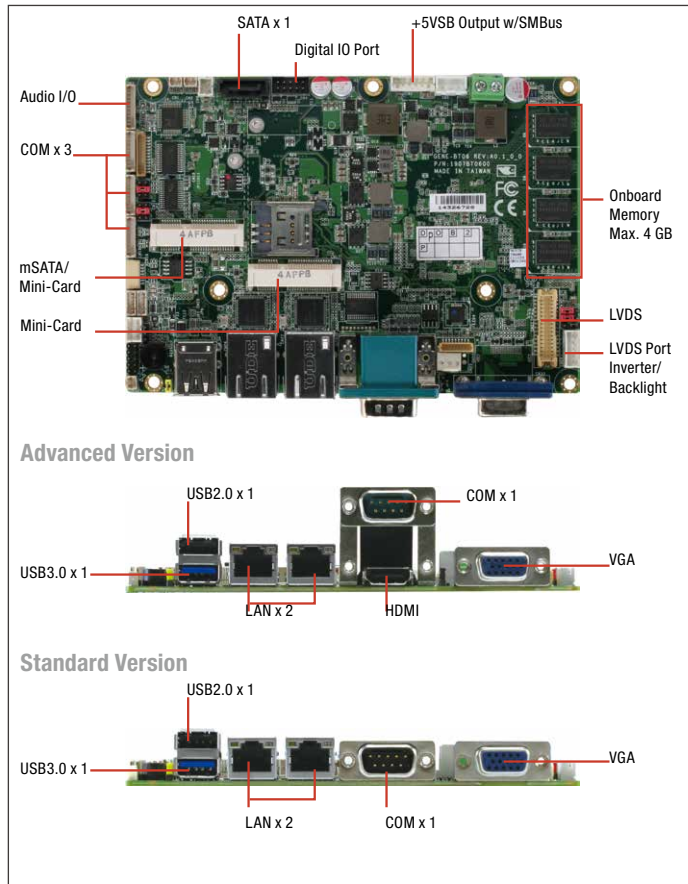


## 3.5" SubCompact Board with Intel® Atom™ E3845/ E3825 and Celeron® Processor SoC



## Specifications

System	
Form Factor	3.5" SubCompact Board
CPU	Intel® Atom™ E3845/E3825
CPU Frequency	Up to 2.0GHz
Chipset	Intel® Atom™ series Processor SoC
Memory Type	On Board DDR3L 1066/1333
Max. Memory Capacity	Up to 4GB
BIOS	UEFI
Wake on LAN	Yes
Watchdog Timer	255 Level
Power Requirement	Wide DC support 9~24V
Power Supply Type	AT/ATX
Power Consumption (Typical)	Intel® E3845, Onboard DDR3L 1600MHz 4G, 0.64A@+12V
Dimension (L x W)	5.75" x 4" (146mm x 101.6mm)
Operating Temperature	32°F ~ 140°F (0°C ~ 60°C) or WITAS 2 (TBD)
Storage Temperature	-40°F ~ 176°F (-40°C ~ 80°C)
Operating Humidity	0% ~ 90% relative humidity, non-condensing
MTBF (Hours)	110,000
Certification	CE/FCC
Display	
VGA/LCD Controller	Intel® Atom™ series Processor SoC
Video Output	CRT+LVDS, HDMI+LVDS, CRT+HDMI
Backlight inverter supply	18/24-bit dual-channel LVDS LCD
I/O	
Ethernet	Intel® I211 (or 210), 10/100/1000Base-TX, RJ-45 x 2
Audio	High definition audio interface
USB Port	USB2.0 x 3, USB 3.0 x 1
Serial Port	RS-232 x 2, RS-232/422/485 x 2
Parallel Port	SPP/EPP/ECP x 1

## Features

- Intel® Atom™ E3845/ E3825 and Celeron® Processor SoC
- Onboard DDR3L Memory Max. 4 GB
- CRT, 18/24-bit Dual-Channel LVDS LCD, HDMI (DP Sharded with HDMI/CRT, Optional)
- 2 CH Audio
- SATA 3.0 Gb/s x 1 & mSATA (Sharded with Mini-Card)
- Support 8-bit Digital I/O, USB2.0 x 3, USB3.0 x 1
- RS-232 x 2, RS-232/422/485 x 2
- Mini-Card Slot x 2 (Full-size x 1, Half-size x 1)
- Wide DC Support 9~24V
- Supports TPM (Optional)
- 4/5/8-wire Resistive Touch Screen Controller (Optional)
- Solder Design For System Assembly and Thermal



HDD Interface	SATA 2.0 x 1
FDD Interface	—
SSD	mSATA (Half-size, shared with Mini-Card)
Expansion Slot	Mini-Card x 1 (Full-size)
DIO	8 Bit
TPM	x 1
Touch	x 1

## Packing List

- Product DVD
- GENE-BT06 with Heatspreader

## Optional Accessories

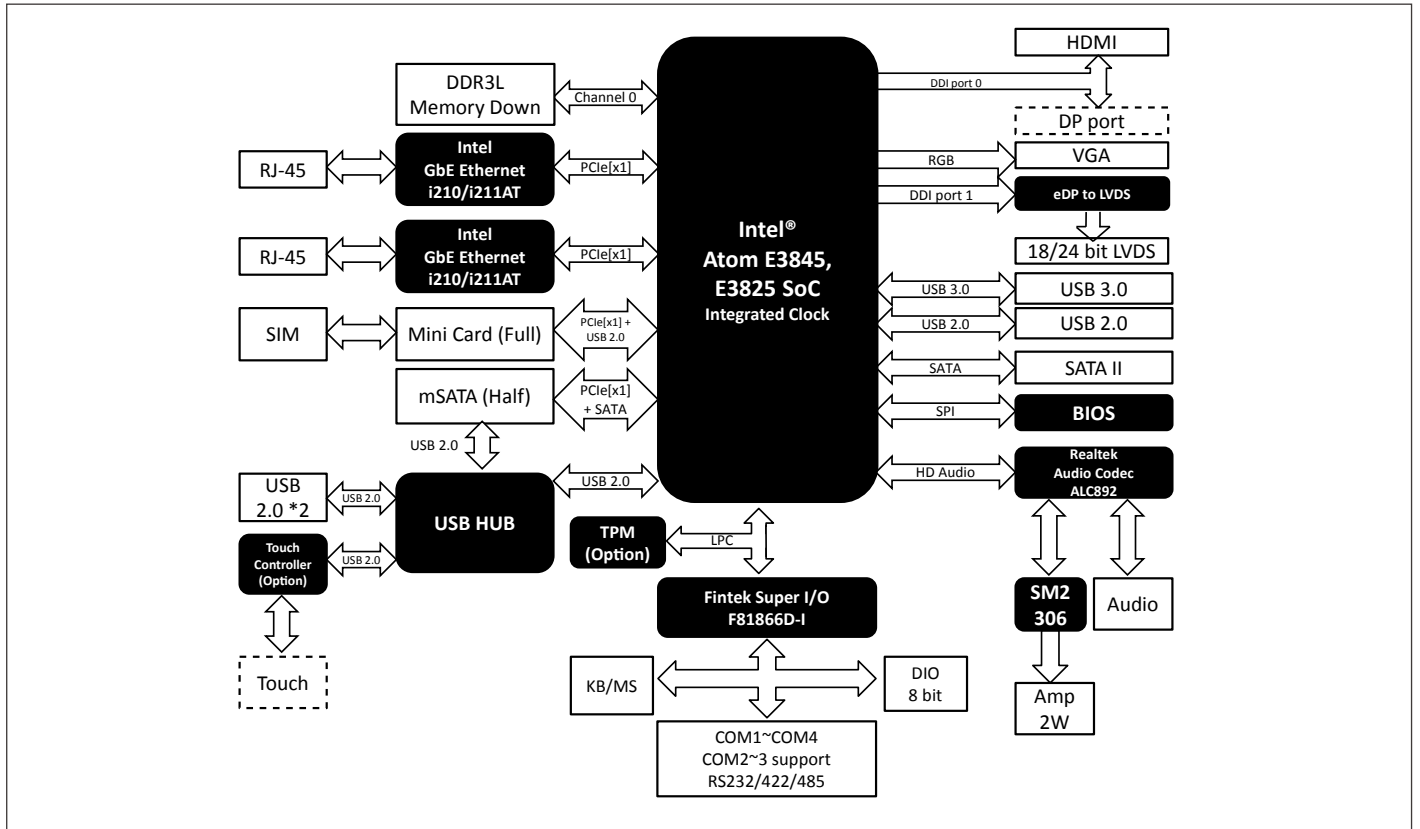
Part Number	Description	QTY
1700050207	(TF)USB CABLE.1*5P Pitch=1.25mm Housinh.20cm.for PFM-945C	2
1701090150	(TF)Flat Cable.D-Sub 9(M).9P Housing.9P 1.25mm pitch Housing.15cm	3
1709100254	(TF)PHONE JACK Cable.3P AUDIO JACK.1*10P 1.25mm HOUSING(F).25cm	1
1702150155	(TF)Power Cable.15P SATA(F).2P 2.0mm Housing(PH).15cm	1
170220020B	(TF)Power Cable.20P ATX(M).4P 5.08mm Housing(F).+3P 2.5mm Housing(XH).20cm	1
1700060157	(TF)Cable.6P 2.0mm Housing.6P JACK W/SCREW KB&MS.15cm	1
1702002010	(TF)Power CABLE.1*2P Pitch=5.0mm Housing.10cm.for PFM-945C.(12V only)	1
175011901C	(TF)BATTERY.3V.MAXELL.CR2032M1S8-LF	1

## OS Support

Part Number	Description
OS-W10R-600-00000-EN	Windows 10 IoT Enterprise for Retail or ThinClients.64bit MultiLang. (EngFreChiTChiSJanKor)

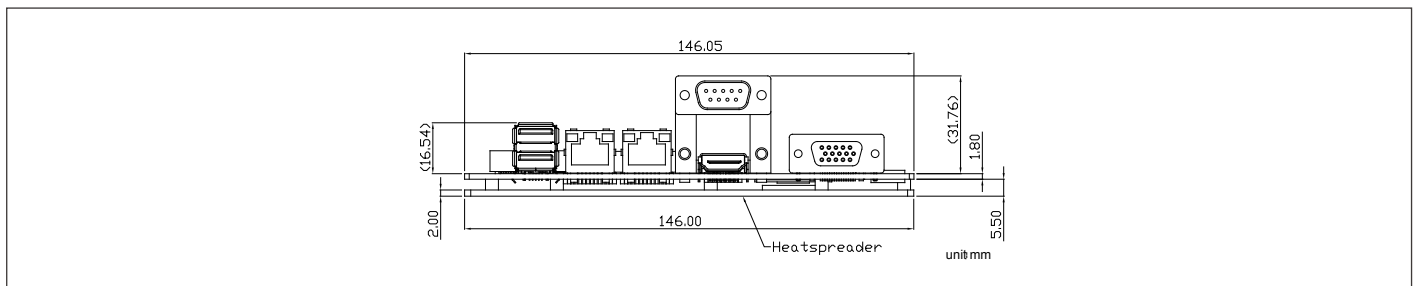
# GENE-BT06

## Block Diagram



## Dimension

Unit: mm



## Ordering Information

Part Number	CPU	Fan/ Fanless	DRAM	Display	LVDS	Storage	LAN	USB	RS-232	RS-232/422/485	Expansion Slot	Power	Power Temp	Others
GENE-BT06-A11-0001	Intel® Atom™ E3825	Fanless	Onboard 2GB	VGA+LVDS	24bit, 2CH	SATA x 1 mSATA x 1 (half size)	GbE x 2	USB3.0 x 1 USB 2.0 x 3	2	2	Mini-Card x 1 (Full)	9~24V	0°C ~ 60°C	DIO x 8
GENE-BT06-A11-0002	Intel® Atom™ E3845	Fanless	Onboard 4GB	CRT + LVDS LVDS + HDMI HDMI + CRT	24bit, 2CH	SATA x 1 mSATA x 1 (half size)	GbE x 2	USB3.0 x 1 USB 2.0 x 3	2	2	Mini-Card x 1 (Full)	9~24V	0°C ~ 60°C	Touch Controller, TPM, SIM, DIO x 8