

Video Wall Mini

NEW

VIA ARTiGO A1300

Ultra-compact fanless system for mission-critical dual-display signage, HMI, and IoT applications

Features

- Two HDMI ports with dual independent display support
- 1.0GHz VIA QuadCore E-Series processor and VX11PH media system processor
- Rich I/O features, including COM, Digital I/O, USB 2.0, and USB 3.0 ports
- Optional 3G and Wi-Fi modules
- VIA MagicView™ content management software available

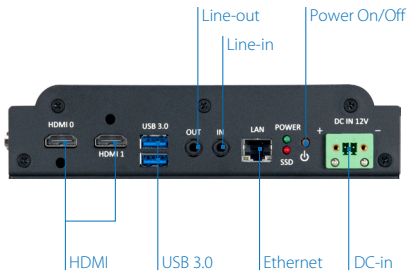


Specifications

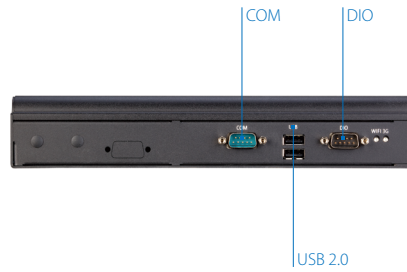
Model Name	ARTiGO A1300
Processor	1.0GHz VIA QuadCore E-Series
Chipset	VIA VX11PH Media System Processor
BIOS	AMI Aptio UEFI BIOS, 32Mbit Flash memory
System Power Management	Timer Power-On ACPI 3.0 compliant
System Memory	1 DDR3 1066/1333 SODIMM socket Up to 8GB memory size
Storage	Supports 1 2.5" SATA SSD/HDD 1 mSATA slot
Graphics	Integrated Chrome® 645/640 DX11 3D/2D graphics with MPEG-2, WMV9, VC-1 and H.264 video decoding acceleration
Audio	VIA VT2021 High Definition Audio Codec
Display I/O	2 HDMI ports supporting resolutions up to 1920 x 1080 pixels Dual independent HDMI displays at different resolutions, pixel depths, and refresh rates
USB	2 USB 3.0 ports and 2 USB 2.0 ports
LAN	Realtek RTL8111G Gigabit Ethernet controller Supports Wake-On-LAN and Boot from LAN (PXE)
COM	Fintek F71869
Expansion I/O	1 miniPCIe slot (PCIe + USB 2.0) 1 SIM card slot
Front Panel I/O	2 USB 3.0 ports 2 HDMI ports 1 Gigabit Ethernet port 2 Audio jacks: Line-in and Line-out 1 Power on/off button 1 Red LED for SSD activity 1 Green LED for power status 1 2-pole Phoenix DC jack
Left Panel I/O	2 USB 2.0 ports 1 COM port for RS-232/422/485 (powered by selectable 5V/12V) 1 DIO port for 8-bit GPIO 1 Blue LED for 3G 1 Blue LED for USB Wi-Fi
Rear Panel I/O (Optional)	1 Antenna hole for 3G 1 Antenna hole for Wi-Fi
Watch Dog Timer	System reset; programmable 1~255 sec
Power Supply	12V DC-in (typical: 28W)
Operating System	Windows 7, WES 7, Linux

CE FC

Front Panel External I/O



Left Panel External I/O



Specifications

Model Name	ARTiGO A1300
Mechanical Construction	Fanless Aluminum alloy
Mounting	VESA mount
Dimensions	185mm(W) x 44.4mm(H) x 162mm(D) (7.28" x 1.75" x 6.38")
Weight	2.0kg (4.4lbs) (without HDD)
Operating Temperature	0°C ~ 45°C (SSD & mSATA) 0°C ~ 40°C (HDD)
Storage Temperature	-10°C ~ 60°C
Operating Humidity	0% ~ 90% (non-condensing)
Vibration Loading During Operation	With 2.5" SSD IEC 60068-2-64 (5Grms, random, 5 ~ 500Hz, 1hr/axis)
Shock During Operation	With 2.5" SSD IEC 60068-2-27 (50G, half size, 11ms duration)
Compliance	CE/FCC

Ordering Information

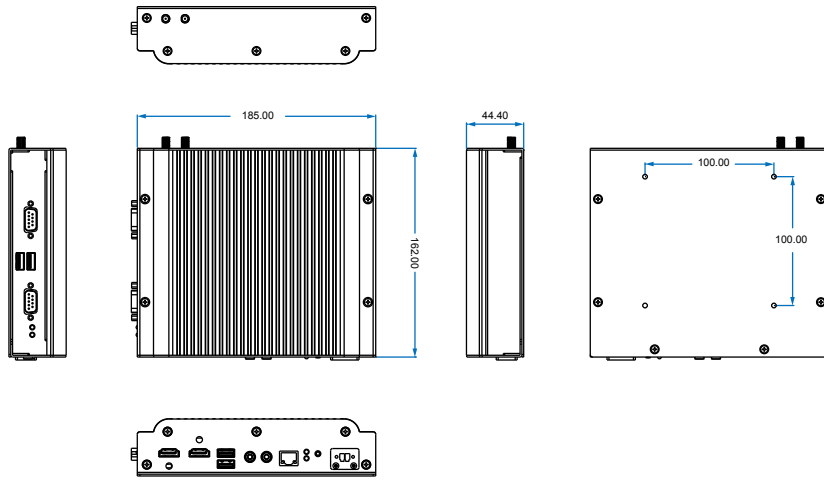
Part Number	CPU Frequency	Description
ATG-A1300-1Q10A2	VIA QuadCore E-Series @ 1.0GHz	Fanless embedded system with 1.0GHz VIA QuadCore E-Series CPU, 2 HDMI, 2 USB 3.0, 2 USB 2.0, COM, DIO, Gigabit Ethernet, SATA SSD bay, mSATA, 12V DC-in, power cord USA type
ATG-A1300-2Q10A2	VIA QuadCore E-Series @ 1.0GHz	Fanless embedded system with 1.0GHz VIA QuadCore E-Series CPU, 2 HDMI, 2 USB 3.0, 2 USB 2.0, COM, DIO, Gigabit Ethernet, SATA SSD bay, mSATA, 12V DC-in, power cord EU type

Optional Accessories

Wireless Accessories

Part Number	Description
EMIO-1533-00A2	VNT9271BB05B-516 IEEE 802.11b/g/n USB Wi-Fi module with assembly kit
EMIO-2550-01A1	Ublox 3.75G HSPA/UMTS mobile broadband full size miniPCle module

Dimensions



Unit: mm

Packing List

Items

- ARTiGO A1300 system
- AC-to-DC power adapter
- Power cord
- Screws pack
- HDMI strap holder
- SATA + power cable
- Mounting screws
- HDD/SSD screws
- Mini Card screws