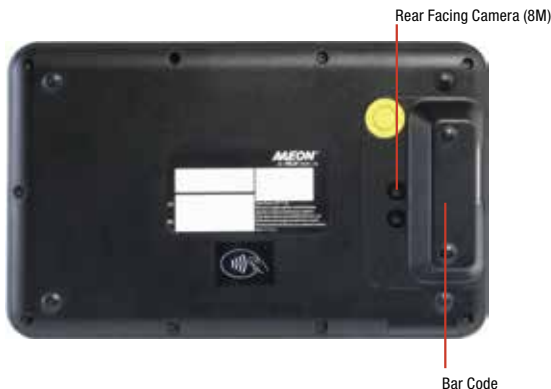


7" Rugged Tablet X86-based Windows® 8/8.1 with 1.8GHz Dual Core Processor



Features

- 7" (1280 x 800) TFT LCD Display
- Intel® Atom™ Z2760 1.8GHz Dual Core Processor
- Anti-scratch with 5 Points Multi-touch Screen, Gorilla Glass
- 400 Nits
- Li-polymer High Capacity Battery, up to 8 Hours Battery Life
- WiFi 802.11 b/g/n, Bluetooth® v4.0
- NFC/ RFID/ 3G (Optional)
- GPS/ Glonass Navigation
- G-sensor, E-compass, Gyros
- MIL-STD-810G & IP65 Compliant
- Expansion Peripherals (Optional):
1D/2D Barcode Scanner, Magnetic Stripe Reader (MSR), Smart Card Reader (SCR), Docking
- Windows® 8, Windows® 8.1



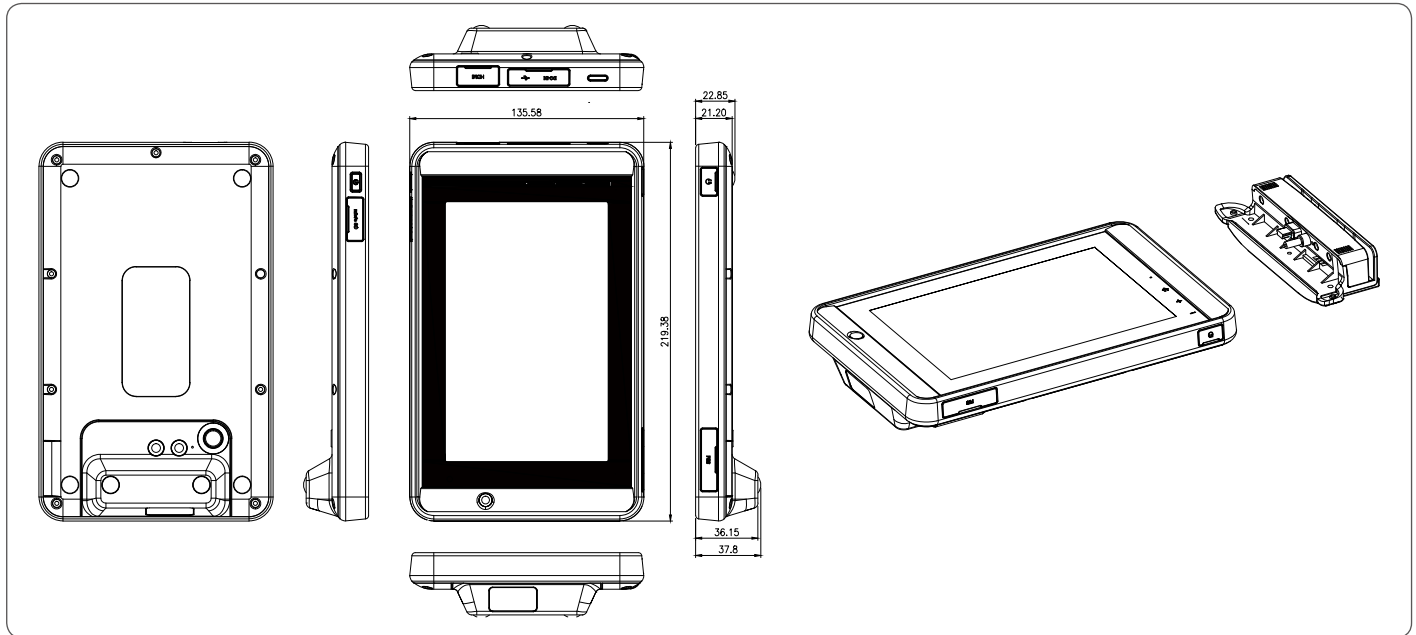
Specifications

System	
Processor	Intel® Atom™ Z2760 1.8GHz Dual Core Processor
Chipset	—
System Memory	2GB LPDDR2-800MHz
LCD Display	7" TFT-LCD (1280 x 800)/ 16:10, 400 nits
Communication	Bluetooth® v4.0, Wi-Fi (802.11 b/g/n), NFC/ RFID (13.56MHz), 3G (Optional)
I/O Port	DC-in jack x 1, MicroSD card slot x 1, SIM card slot x 1, miniHDMI port x 1, miniUSB port x 1, Built-in speaker & Microphone x 1, 3.5mm stereo headphone jack x 1
Storage	64GB eMMC
Navigation	GPS, Glonass
Camera	Front-facing: 2MP, 720p Rear-facing: 8MP, 1080p HD, auto-focus with flash
Sensor	G-sensor, E-Compass, Gyroscope, Light-sensor
OS	Windows® Embedded 8 Standard (Default) Windows® Embedded 8.1 Industry Pro (Optional) Windows® Embedded 8.1 Industry Retail (Optional)
Mechanical	
Color	Black
Dimension	5.38" x 8.58" x 0.83" (136.6mm x 218mm x 21 mm)
Gross Weight	1.2 lb (0.58kg)
Carton Dimension	—
Environmental	
Operating Temperature	-9.4°F ~ 131°F (-23°C ~ 55°C)
Storage Temperature	-67°F ~ 158°F (-55°C ~ 70°C)
Operating Humidity	50°C; 5% ~ 90%/R/H; 120 hours
Water & Dust Proof	IP65
Vibration	ASTM 4169-99 Truck Assurance Level II, Schedule E
Drop	MIL-STD-810G Method 516.6 Procedure IV - Height of Drop: 122cm (48 inch; 4ft) - Number of Drop: 26 times - Floor: Two-inch plywood backed by concrete - For all surfaces, edges and corners
ESD	Air charge: +/- 8KV Contact charge: +/- 4KV
EMC/ Safety	UL: UL60950-1 CE/LVD: EN60950-1
Power Supply	
AC/ DC Adapter	100~240V; 12V/2A DC input
Battery	Li-polymer High Capacity Battery, up to 8 Hours Battery Life

RTC-700C

Dimension

Unit: mm



LCD	
Display Type	7" TFT-LCD/16:10
Max. Resolution	1280 x 800 pixel
Max. Color	16.7M
Dot Size	0.117(W) x 0.117(H)
Luminance	400 nits; Sunlight Viewable (Default) 680 nits; Sunlight Readable (Optional)
View Angle	Horizontal: 178° (Typ.) Vertical: 178° (Typ.)
Touch Screen	
Type	Projected capacitive multi-touch screen (PCT)
Light Transmission	Min 87% (ASTM D1003; Wavelength = 550nm)

Packing List

- **1255300241**
Power Adapter
- **1702031830**
Power Cable for USA
- **Product CD**
- **RTC-700C**

Optional Accessories

- **1700050156**
USB OTG Cable
- **1700191501**
HDMI Cable
- **AP-PS1757402101**
Vehicle DC/DC Adaptor
- **AP-OT9789666663**
Vehicle Dock (Non-Chargeable)
- **219700C001**
Carry Bag w/ Shoulder Belt
- **9789700A01**
Portable Stand
- **9789700A02**
Desktop Stand
- **PER-A139**
MSR Module
- **1702031831**
Power Cable for Europe
- **PER-A140**
MSR + SCR Module
- **TF-RDS-0310-0001**
Docking Station
- **9789700A03**
Portable Stand with Ring Hand Strap

Ordering Information

Part Number	CPU	System Memory	OS	Storage	Luminance	LCD Display	Touch Screen	WiFi/Bluetooth	3G Bands (MHz)	NFC (HF)	GPS	Sensor	Camera	Battery	Expansion I/O	Size	Weight	Operating Temp.	Environment	BCR
RTC-700C-TA-WBG-0101	Intel® Atom™ Processor Z2760 (1M Cache, 1.80 GHz)	2GB LDDRII	WES8	64GB eMMC	400 nits (116.75FL) Sunlight Viewable	7" TFT LCD (1280 x 800)	PCT 5-point	WiFi (802.11 a/b/g/n) Bluetooth® v4.0	—	13.56MHz (NFC-IP-1, ISO14443 TypeA/B, ISO15693, Felica, Mifare 1K, 4K)	GPS, Glonass	1. G-sensor, 2. E-Compass, 3. Gyro-sensor, 4. Magnetometer, 5. Light sensor (ALS); 6. Vibration sensor 7. MEMS pressure sensor	1. Front: 2M, 720p 2. Rear: 8M, 1080p with auto-focus with flash	3700mAh 7.4V (27.38 Whr)	miniHDMI x 1 miniUSB x 1 microSD Card slot x 1 SIM Card slot x 1	136.6mm x 219mm x 21mm (W x L x H)	578g	-23°C ~ 55°C	MIL-STD-810G IP65	—
RTC-700C-TA-WBG-0102			WES8													136.6mm x 219mm x 21mm (W x L x H)	610g			Yes
RTC-700C-TA-WBG-1101			WES8.1 Industry Pro Retail													136.6mm x 219mm x 21mm (W x L x H)	578g			—
RTC-700C-TA-WBG-1102			WES8.1 Industry Pro Retail													136.6mm x 219mm x 37.8mm (W x L x H)	610g			Yes
RTC-700C-TA-WBG-1201			WES8.1 Industry Pro													136.6mm x 219mm x 21mm (W x L x H)	578g			—
RTC-700C-TA-WBGH-0101			WES8													136.6mm x 219mm x 21mm (W x L x H)	608g			—
RTC-700C-TA-WBGH-1101			WES8.1 Industry Pro Retail													136.6mm x 219mm x 21mm (W x L x H)	608g			—
RTC-700C-TA-WBGH-1201			WES8.1 Industry Pro													136.6mm x 219mm x 21mm (W x L x H)	608g			—