

RTC-1000i

10.2" Rugged Tablet Computer X86-based Windows® 7 with 1.06 GHz Processor



Features

- 10.2" (1024 x 600) 200 Nits, 500 Nits (Optional), TFT LCD Display
- Intel® Core™ i7-620UE 1.06GHz Processor
- DDR3 Onboard 2 GB (Default) + SODIMM Socket x 1, Up To 6 GB (Optional)
- Touch Screen, Advanced Optibond Technology (AOT™)
- MIL-STD-810G, IP54 Compliant
- PCMCIA or Smart Card, CompactFlash™ Card or SDHC Card Sockets
- 9-Cell Smart Li-Ion High-Capacity Battery, up to 5-Hour Battery Life
- WiFi 802.11 b/g + Bluetooth® 2.0
- GSM/ 3G/ 3.5G (Optional), GPS (Optional)
- Built-in G-Sensor
- Numeric Keypad, Programmable Function Keys
- Windows® Embedded Standard 2009 (Default), Windows® Embedded Standard 7 (Optional), Linux: Ubuntu 9.04 (Optional)



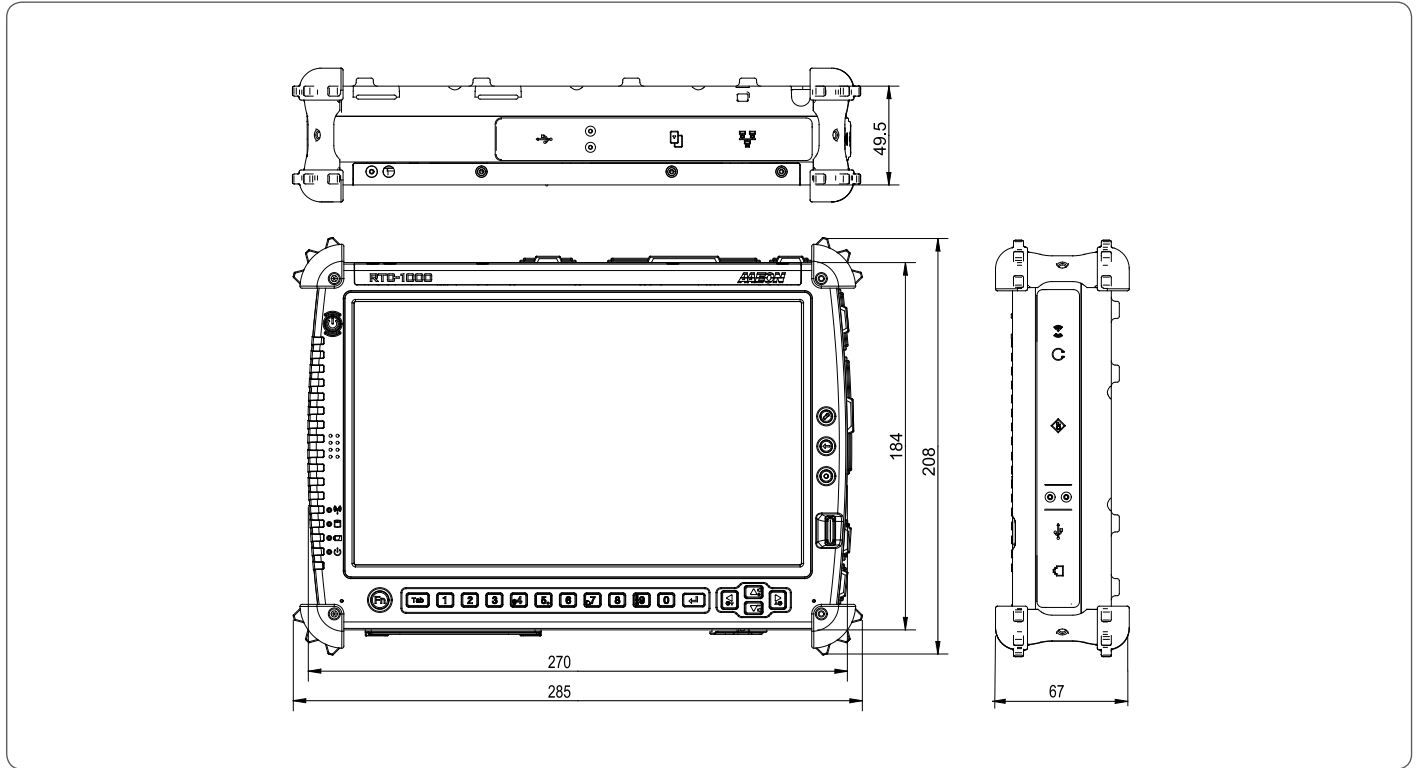
Specifications

System	
Processor	Intel® Core™ i7-620UE 1.06GHz processor
System Memory	DDR3 onboard 2GB (Default) + SODIMM socket x 1, up to 6GB (Optional)
LCD/CRT Controller	Intel® QM57 Express chipset
LCD Display	10.2" WSVGA (1024 x 600) TFT LCD with Touch Screen (AOT)
Communication	Gigabit Ethernet, RJ-45 x 1 WLAN 802.11 b/g + Bluetooth® 2.0 Class 1 3.5G Modem module (Optional)
I/O Port	COM x 1 (RX-232/422/485) USB2.0 x 2 Mini USB x 1 VGA x 1 Docking port (Contact pins with USB/COM/VGA/Power signals) x 1 Two Audio in/out jacks for Microphone/ Earphone
Storage Disk	2.5" SATA Hard Disk/SSD (Optional)
Expansion Slot	PCMCIA (Default) or Smart Card x 1, Mini Card x 2 (Internal), CompactFlash™ (Default) x 1 or SDHC x 1, SIM x 1
OS Support	Windows® Embedded Standard 2009 (Default), Windows® Embedded Standard 7 (Optional), Linux: Ubuntu 9.04 (Optional)
Mechanical	
Construction	Al-Mg alloy
Color	Black
Dimension	10.63" (W) x 7.24" (D) x 1.93" (H) (270mm x 184mm x 49mm)
Carton Dimension	17.95" (W) x 11.69" (D) x 15.27" (H) (456mm x 297 mm x 388mm)
Gross Weight	5 lb (2.3 kg), including 9-cell battery, hand strap and bumpers
Environmental	
Operating Temperature	-4°F ~ 140°F (-20°C ~ 60°C)
Storage Temperature	-67°F ~ 167°F (-55°C ~ 75°C)
Operating Humidity	10 to 95% @ 40°C, non-condensing
Water & Dust Proof	IP54 Compliance
Vibration	Meets MIL-STD-810G-514.6, Procedure I Cat. 24, Fig. 514.6E-1 & 514.6E-2 (Unit is non-operating) ASTM 4169-99 Truck Assurance Level 2, Schedule E (Unit is operating)
Drop	26 drops of 48 inches height to 2" plywood over concrete with unit off MIL-STD-810G-516.6, Procedure IV
ESD	Air +/- 8KV, Contact +/- 4KV, IEC61000-4-2
EMC/ Safety	CE/FCC Class B/UL

RTC-1000i

Dimension

Unit: mm



Power Supply	
AC/ DC Adapter	AC Power input: 100V-240V, 50Hz-60Hz, 65W DC Power output: 19V
Battery	3S3P 9-cell (7,800 mAh) battery, up to 5-Hour battery life
LCD	
Display Type	10.2" 16:9 TFT LCD
Max. Resolution	1024 x 600
Max. Color	262K colors
Dot Size	0.2175 x 0.2175
Luminance	200/500 cd/m ² (Optional)
View Angle	Vertical 60° (R)/ 60° (L) Horizontal 70° (U)/ 70° (L)
Touch Screen	
Type	4-wire, Analog Resistive
Resolution	1024 x 600
Light Transmission	≥ 85%

Note: RTC-1000i has a RJ-11 connector, but the cable modem function has been removed.

Ordering Information

Part Number	CPU	LCD Display	System Memory	Storage	Touch Screen	OS	WiFi	Power	Sunlight Readable
TF-RTC-1000I-TA-WB-2110	Intel® Core™ i7-620UE	10.2" TFT LCD, 200 nits	2 GB	320 GB	AOT	Windows® Embedded Standard 2009	802.11 b/g	DC19V	—
TF-RTC-1000I-TAS-WB-2110	Intel® Core™ i7-620UE	10.2" TFT LCD, 500 nits	2 GB	320 GB	AOT	Windows® Embedded Standard 2009	802.11 b/g	DC19V	Yes

Packing List

- **1702031380**
Power Cord
- **1757306503**
Adapter
- **Driver CD or DVD**

Optional Accessories

- **9686666612**
3.5G Modem Module Kit
- **9761100016**
GPS Module Kit
- **RDS-141V-0000**
Office Docking Station
- **RDS-141V-0002**
Vehicle Docking Station
- **1757407201**
Vehicle DC/DC Adapter, 12V/24V Input
- **2192619061**
Carry Bag