

Datasheet

USB EDC Vertical 2SE series

- Excellent data transfer speed
- Wear-leveling supported
- Low power consumption
- Pin pitch 2.54mm



Introduction

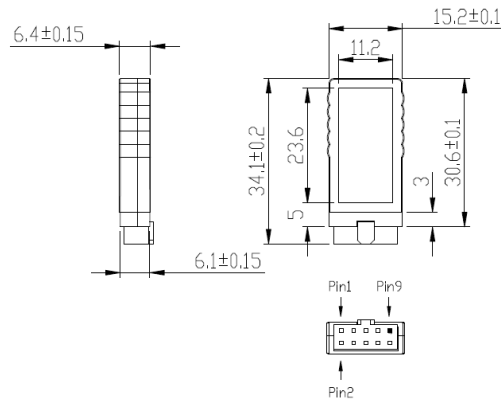
The Innodisk USB EDC (Embedded Disk Card) products provide high capacity USB flash memory storage that electrically complies with High-speed USB 2.0 interface & backward compatible with USB 1.1. The device features attractive small form factor and the connectivity over USB2.0 and the NAND flash architecture provide a faster data transmission.

USB EDC Vertical 2SE series

Drawing

Contact us for more information
about the USB EDC Vertical 2SE

Innodisk is a service-driven provider of industrial embedded flash and DRAM storage products and technologies, with a focus on the cloud computing, industrial/embedded, and aerospace and defense industries.



Headquarters (Taiwan)

5F., No.237, Sec. 1, Datong Rd.,
Xizhi Dist., New Taipei City,
Taiwan (R.O.C.)
Tel: +886-2-77033000
Email: sales@innodisk.com

Branch Offices:

USA
usasales@innodisk.com
+1-510-770-9421
Europe
eusales@innodisk.com
+31-040-282-1818
Japan
jpsales@innodisk.com
+81-45-594-7581
China
sales_cn@innodisk.com
+86-755-21673689
www.innodisk.com

© 2015 Innodisk Corporation.
All right reserved. Specifications
are subject to change without
prior notice.

20150212

Specifications

Interface	USB 2.0
Flash Type	SLC
Connector	Standard, 10pin, 2.54mm
Capacity	512MB~16GB
Max. Channels	1
Sequential R/W (MB/sec, max.)	28 / 24
Max. Power Consumption	0.85 W (5V X 170mA)
H/W Write Protect	-
S.M.A.R.T.	-
Dimension (WxLxH)	15.2 x 34.1 x 6.4 mm
Environment	Vibration: 5G @7~2000Hz Shock: 50G @ 0.5ms Storage Temperature: -55°C ~ +95°C MTBF: 3 million hours

Ordering Information

Operation Temp.	512MB	1GB	2GB	4GB	8GB	16GB
Standard Grade (0°C ~ +70°C)	DEUV1-512I72AC1SB	DEUV1-01GI72AC1SB	DEUV1-02GI72AC1SB	DEUV1-04GI72AC1SB	DEUV1-08GI72AC1SB	DEUV1-16GI72AC1SB
Industrial Grade (-40°C ~ +85°C)	DEUV1-512I72AW1SB	DEUV1-01GI72AW1SB	DEUV1-02GI72AW1SB	DEUV1-04GI72AW1SB	DEUV1-08GI72AW1SB	DEUV1-16GI72AW1SB