

Datasheet

M.2 (S42) 3ME series

- SATA 6Gb/s interface
- iSMART disk health monitoring
- Intelligent error recovery system
- Excellent data transfer speed
- Write protection security
- Zero mechanical interference
- Anti-vibration mechanical design

Introduction

Innodisk M.2 (S42) 3ME is designed as the standard M.2 form factor with SATA interface, and supports SATA III standard (6.0Gb/s) with excellent performance. The form factor refers to the M.2(NGFF) specification which established by JEDEC. Regarding of mechanical interference, Innodisk M.2 (S42) 3ME absolutely replaces the traditional hard disk and makes personal computer, in any field, smaller and easier.

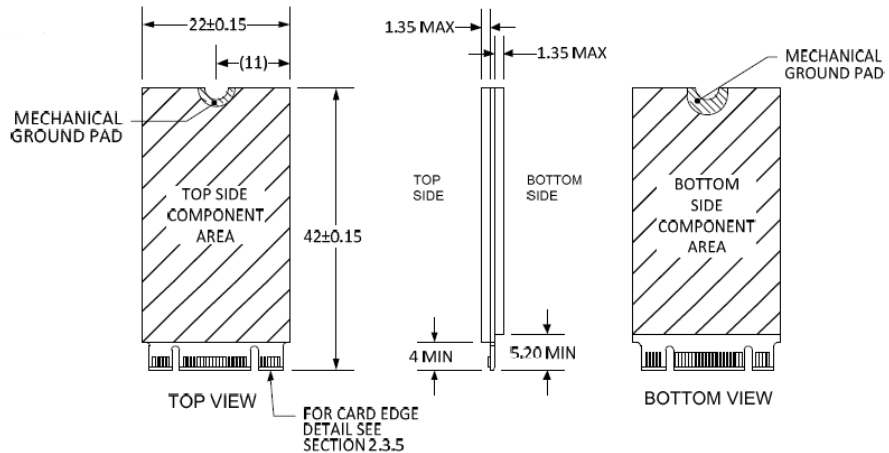
Innodisk M.2 (S42) 3ME effectively reduces the booting time of operation system and the power consumption is less than hard disk drive (HDD), and complies with ATA protocol, no additional drives are required, and can be configured as a boot device or data storage device.

M.2 (S42) 3ME series

Contact us for more information about the M2 (S42) 3ME.

Innodisk is a service-driven provider of industrial embedded flash and DRAM storage products and technologies, with a focus on the cloud computing, industrial/embedded, and aerospace and defense industries.

Diagram



Specifications

Interface	SATA III
Flash Type	MLC
P/E cycle	3,000
Capacity	4GB~64GB
Max. Channels	4
Sequential R/W (MB/sec, max.)	360 / 65
Max. Power Consumption	0.49 W (3.3V x 150 mA)
Thermal Sensor	ST- optional/ WT- default
External DRAM buffer	-
H/W Write Protect	✓
ATA Security	✓
S.M.A.R.T.	✓
Dimension (WxLxH)	22.0 X 42.0 X 4.5 mm
Environment	Vibration: 20G @7~2000Hz Shock: 1500G @ 0.5ms Storage Temperature: -55°C ~ +95°C MTBF: 3 million hours

Ordering Information

Operation Temp.	4GB	8GB	16GB	32GB	64GB
Standard Grade (0°C ~ +70°C)	DEM24-04GD07SC1SC	DEM24-08GD07XC1SC	DEM24-16GD07XC1DC	DEM24-32GD07XC1DC	DEM24-64GD07XC1DC
Extended Grade (-20°C ~ +85°C)	DEM24-04GD07SW1SC	DEM24-08GD07XW1SC	DEM24-16GD07XW1DC	DEM24-32GD07XW1DC	DEM24-64GD07XW1DC

X: S or T (flash type)

Headquarters (Taiwan)

9F., No.100, Sec. 1, Xintai 5th Rd.,
Xizhi Dist., New Taipei City,
Taiwan (R.O.C.)
Tel: +886-2-26963000
Email: sales@innodisk.com

Branch Offices:

USA
usasales@innodisk.com
+1-510-770-9421
Europe
eusales@innodisk.com
+31-040-282-2382
Japan
jpsales@innodisk.com
+81-3-6661-9846
China
sales_cn@innodisk.com
+86-755-21673689
www.innodisk.com

© 2012 Innodisk Corporation.
All right reserved. Specifications
are subject to change without
prior notice.