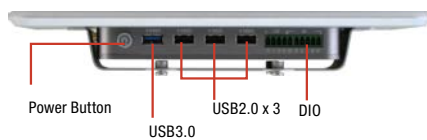


ACP-1104

10.1" WXGA Ultra-slim Fanless Multi Touch Panel PC w/ Intel® Atom™ J1900/ N2807 Processor, 2GB RAM



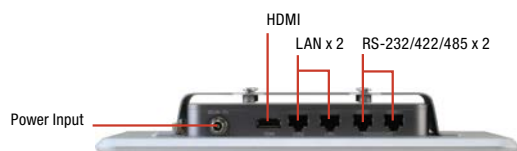
Top I/O Side



Rear Side



Button I/O Side



Features

- 10.1" WXGA (1280 x 800) Color TFT LCD Display
- Intel® Atom™ J1900/ N2807 Processor
- Aluminum Design
- Projected Capacitive Multi Touch (2 Fingers)
- Fanless System
- VESA 75/ Panel Mount Support



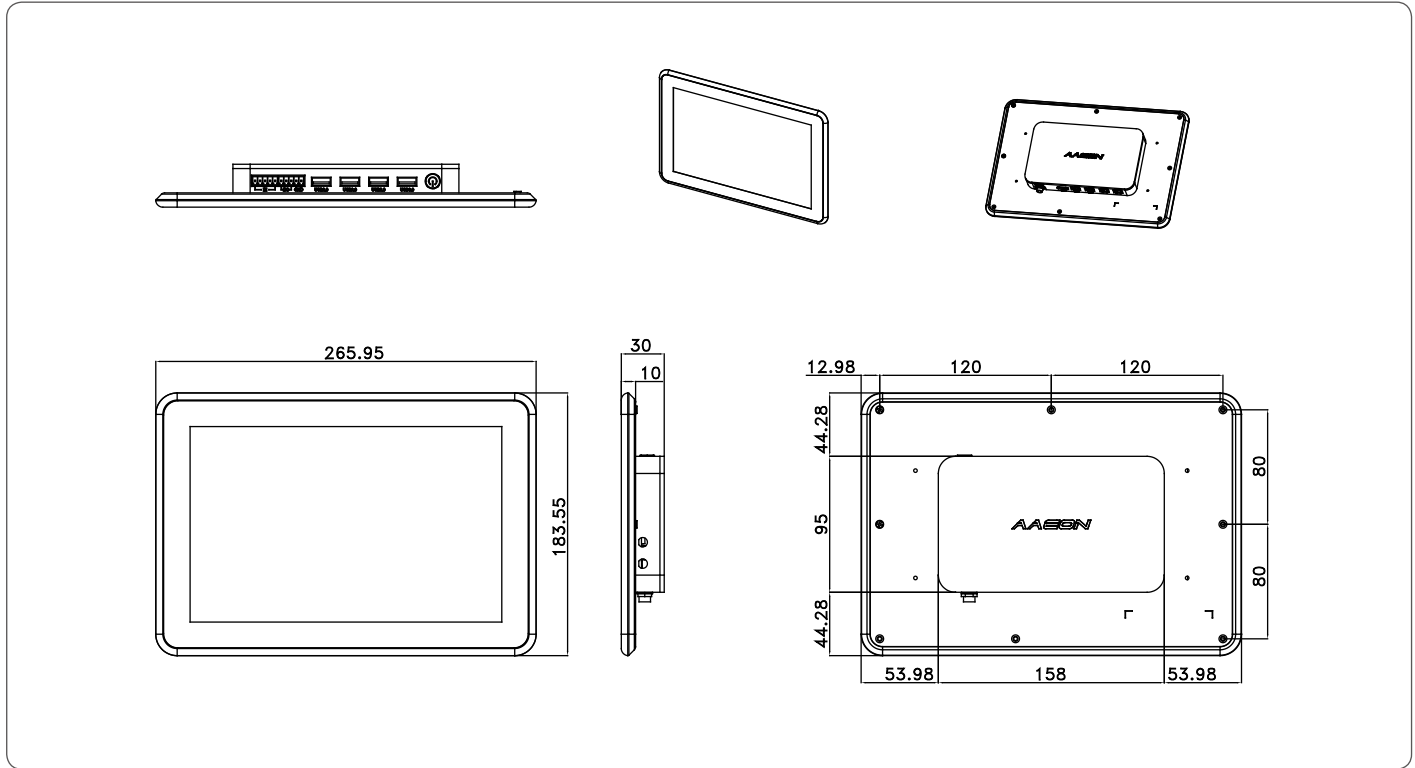
Specifications

System	
Processor	Intel® Atom™ J1900 processor, 2 GHz Intel® Atom™ N2807 processor, 1.58 GHz
System Memory	DDR3L 1333MHz SODIMM (204 pin) x 1, built-in 2GB, Max. 8GB (J1900) DDR3L 1333MHz SODIMM (204 pin) x 1, built-in 2GB, Max. 4GB (N2807)
Ethernet	10/100/1000Base-TX, RJ-45 x 2
I/O Port	RS-232/422/485 x 2 (RJ-45 connector) USB 2.0 Type A x 3 USB 3.0 Type A x 1 HDMI x 1 DI/O (4 DI, 2 DO) BIOS selection Power button x 1 Lockable power connector x 1
Storage Disk Drive	Half size mSATA x 1(Suggest AAEON installed it)
Expansion Slot	Full size mini card x 1
OS support	Window® 7, Window® 8.1, Linux Kernel 2.6.3 or above
Mechanical	
Front Panel	Aluminum Design
Mounting	VESA 75/ Panel Mount/Stand
Dimension	266 x 183.5 x 30mm
Carton Dimension	345 x 200 x 245mm
Gross Weight	2.5 kg
Environmental	
Operating Temperature	32°F ~ 113°F (0°C ~ 45°C) without Airflow 32°F ~ 122°F (0°C ~ 50°C) with Airflow
Storage Temperature	-4°F ~ 158°F (-20°C ~ 70°C)
Storage Humidity	5%~90% @40°C; non-condensing
Vibration	1 g rms/ 5~ 500Hz/ operation – With HDD
Shock	15 G peak acceleration (11 msec. duration) – With HDD
EMC	CE/FCC Class A
Power Supply	
DC input	12V DC in lockable
LCD	
Display Type	10.1" TFT-LCD, LED
Max. Resolution	1280 x 800
Max. Colors	262k
Luminance	250 cd/m ²
Viewing Angle	160°(H), 160°(V)
Back Light	LED
Touchscreen	
Type	Projected Capacitive Touch (two points)

ACP-1104

Dimension

Unit: mm



Ordering Information

Part Number	Display Type	Max. Resolution	Luminance	View Angle	Backlight MTBF	CPU	LAN	USB	RS-232	RS-232/422/485	Storage	RAM	Display	Expansion	Mounting	Power	Temp.	Touch
ACP-1104HTT-A1-1010	10.1" TFT-LCD	1280 x 800	250 cd/m ²	160(H), 160V	20,000	Intel® Atom™ J1900, 2.0 GHz	2	USB3.0 x 1, USB2.0 x 3	1	2	Half size mSATA HDD	2GB DDB3L	HDMI x 1	—	VESA 75	DC 12V	32°F ~ 113°F (0°C ~ 45°C) (mSATA, w/o airflow) 32°F ~ 122°F (0°C ~ 50°C) (mSATA, w/ airflow)	Projective Capacitive Touch
ACP-1104HTT-B1-1010	10.1" TFT-LCD	1280 x 800	250 cd/m ²	160(H), 160V	20,000	Intel® Atom™ J1900, 2.0 GHz	2	USB3.0 x 1, USB2.0 x 3	1	2	Half size mSATA HDD	2GB DDB3L	HDMI x 1	WiFi Inside	VESA 75	DC 12V	32°F ~ 113°F (0°C ~ 45°C) (mSATA, w/o airflow) 32°F ~ 122°F (0°C ~ 50°C) (mSATA, w/ airflow)	Projected Capacitive Touch (Two Points)
ACP-1104HTT-A3-1010	10.1" TFT-LCD	1280 x 800	250 cd/m ²	160(H), 160V	20,000	Intel® Atom™ N2807, 1.58 GHz	2	USB3.0 x 1, USB2.0 x 3	1	2	Half size mSATA HDD	2GB DDB3L	HDMI x 1	—	VESA 75	DC 12V	32°F ~ 113°F (0°C ~ 45°C) (mSATA, w/o airflow) 32°F ~ 122°F (0°C ~ 50°C) (mSATA, w/ airflow)	Projected Capacitive Touch (Two Points)
ACP-1104HTT-B3-1010	10.1" TFT-LCD	1280 x 800	250 cd/m ²	160(H), 160V	20,000	Intel® Atom™ N2807, 1.58 GHz	2	USB3.0 x 1, USB2.0 x 3	1	2	Half size mSATA HDD	2GB DDB3L	HDMI x 1	WiFi Inside	VESA 75	DC 12V	32°F ~ 113°F (0°C ~ 45°C) (mSATA, w/o airflow) 32°F ~ 122°F (0°C ~ 50°C) (mSATA, w/ airflow)	Projected Capacitive Touch (Two Points)

Packing List

- Power Adapter
- 1700090156
RJ-45 to COM Cable x 3
- M041073000
VESA Mount Kit
- 9741107300
Panel Mount Kit
- VESA Screws
- Product DVD
- ACP-1104

Optional Accessories

- 1255300607
Power Adapter DC12V, 60W
- 1702031802
Power Cord (US Type)
- 1702031803
Power Cord (European Type)
- M041073020
Stand Kit
- 9741107300
Panel mount kit

Half Size mSATA Storage Device:

- 968C008G0G
(TF)Half-sized, 8 GB, mSATA SSD, MLC, -40°C ~ +85°C
- 968C016G1W
(TF)Half-sized, 16 GB, mSATA SSD, MLC, -40°C ~ +85°C
- 968C016G1U
(TF)Half-sized, 16 GB, mSATA SSD, MLC, -40°C ~ +85°C
- 968C032G1B
(TF)Half-sized, 32 GB, mSATA SSD, MLC, -40°C ~ +85°C
- 968C032G0L
(TF)Half-sized, 32 GB, mSATA SSD, MLC, -40°C ~ +85°C
- 968C064G0T
(TF)Half-sized, 64 GB, mSATA SSD, MLC, -40°C ~ +85°C

Note : AAEON strongly recommend you to buy AAEON factory-installed mSATA HDD if you need a mSATA HDD.